

# N6780 Series

## Source/Measure Units (SMUs) for the N6700 Modular Power System

N6781A 2-Quadrant Source/Measure Unit for Battery Drain Analysis (20 W)

N6782A 2-Quadrant Source/Measure Unit for Functional Test (20 W)

N6784A 4-Quadrant General Purpose Source/Measure Unit (20 W)

N6785A 2-Quadrant Source/Measure Unit for Battery Drain Analysis (80 W)

N6786A 2-Quadrant Source/Measure Unit for Functional Test (80 W)



По вопросам продаж и поддержки обращайтесь:

Архангельск (8182)63-90-72  
Астана +7(7172)727-132  
Астрахань (8512)99-46-04  
Барнаул (3852)73-04-60  
Белгород (4722)40-23-64  
Брянск (4832)59-03-52  
Владивосток (423)249-28-31  
Волгоград (844)278-03-48  
Вологда (8172)26-41-59  
Воронеж (473)204-51-73  
Екатеринбург (343)384-55-89

Иваново (4932)77-34-06  
Ижевск (3412)26-03-58  
Казань (843)206-01-48  
Калининград (4012)72-03-81  
Калуга (4842)92-23-67  
Кемерово (3842)65-04-62  
Киров (8332)68-02-04  
Краснодар (861)203-40-90  
Красноярск (391)204-63-61  
Курск (4712)77-13-04  
Липецк (4742)52-20-81

Магнитогорск (3519)55-03-13  
Москва (495)268-04-70  
Мурманск (8152)59-64-93  
Набережные Челны (8552)20-53-41  
Нижний Новгород (831)429-08-12  
Новокузнецк (3843)20-46-81  
Новосибирск (383)227-86-73  
Омск (3812)21-46-40  
Орел (4862)44-53-42  
Оренбург (3532)37-68-04  
Пенза (8412)22-31-16

Пермь (342)205-81-47  
Ростов-на-Дону (863)308-18-15  
Рязань (4912)46-61-64  
Самара (846)206-03-16  
Санкт-Петербург (812)309-46-40  
Саратов (845)249-38-78  
Севастополь (8692)22-31-93  
Симферополь (3652)67-13-56  
Смоленск (4812)29-41-54  
Сочи (862)225-72-31  
Ставрополь (8652)20-65-13

Сургут (3462)77-98-35  
Тверь (4822)63-31-35  
Томск (3822)98-41-53  
Тула (4872)74-02-29  
Тюмень (3452)66-21-18  
Ульяновск (8422)24-23-59  
Уфа (347)229-48-12  
Хабаровск (4212)92-98-04  
Челябинск (351)202-03-61  
Череповец (8202)49-02-64  
Ярославль (4852)69-52-93

## Deliver exceptional battery life

For many years, the trend in the consumer electronics market has been to make an increasing number of devices integrated and portable. As a result, smartphones, “phablets,” eBook readers, tablets, and MP3 players with multiple functions and features have emerged. Over the past few years, these devices have and continue to grow in size and power consumption. Aside from functionality and features, battery life has become the single-most critical factor to product differentiation and customer satisfaction.

Only Keysight’s N6780 Series SMUs let you visualize current drain from nA to A in one pass and one picture unlocking insights to deliver exceptional battery life.

### Key Features

- Exceptional sourcing: Accurately emulate a battery
  - Stable, glitch-free sourcing and sinking (charge/eLoad), just like a battery
  - Programmable output resistance mimics the battery’s internal resistance
- Exceptional measurement: Make measurements you didn’t think were possible
  - Characterize your device’s off-, sleep-, and transmit-mode current in one pass and one picture with Keysight’s exclusive, patented seamless measurement ranging technology - no need to make multiple measurement sweeps
  - Perform battery rundown tests and characterize how your device performs with an actual battery with the SMU’s ammeter (zero-burden current shunt) mode
- Exceptional Analysis: See your device’s power consumption like never before
  - Built-in digitizers measure and log voltage, current, and power every  $\sim 5 \mu\text{s}$  ( $\sim 200 \text{ kHz}$ )
  - 14585A software provides scope, data logger, and CCDF functionality to see and analyze short- and long-term power usage

## patented feature: Seamless Dynamic Measurements

### N6781A, N6782A, N6785A, and N6786A

Measuring static current accurately can be a challenge. Measuring dynamic currents from nA to A is an even greater challenge. Depending on the level of current, a different precision measurement resistor must be used, representing a measurement range in the power supply.

The N6781A, N6782A, N6785A, and N6786A have multiple current measurement ranges making them tuned to measure the different operating states of a device; off-, sleep-, standby-, and transmit-mode. In addition, the top three ranges support a Technologies, Inc. exclusive feature called “seamless measurement ranging.” When you enable this feature, as the current drawn by the device under test (DUT) changes, the SMU automatically and instantaneously detects which current measurement range will return the most precise measurement and changes to that range seamlessly. When combined with the SMU’s built-in 18-bit digitizers, seamless measurement ranging enables unprecedented effective vertical resolution of ~28-bits. This provides unrivaled productivity gains and insights into power consumption never possible before. Only Keysight’s N6780 Series SMUs let you visualize current drain from nA to A in one pass and one picture unlocking insights to deliver exceptional battery life.

The N6784A also has multiple measurement ranges, but does not support seamless measurement ranging.

### 14585A Control and Analysis Software

The software for the DC power analyzer compliments the front panel of the N6705 mainframe, offering advanced functionality and PC control. It is a flexible R&D tool for any application. It can control any of the N6700 family’s over 30 DC power modules when installed in a N6705 mainframe. When used to control an N6781A or N6785A SMU, it can be used for advanced battery drain analysis applications.

### Key features

- Compliments the N6705 DC power analyzer’s front panel controls.
- Control and analyze data from up to four N6705 DC power analyzer mainframes and any installed modules at once – that’s up to 16 power supplies simultaneously.
- Easily create complex waveforms to stimulate or load down a DUT by inputting a formula, choosing from built-in, or importing waveform data.
- Enhanced control and analysis of data with familiar PC controls and large display.

## Applications

- N6781A and N6785A SMUs are tuned for battery drain analysis of any and all battery-powered devices from 20 W to 80 W, including e-Book readers, MP3 players, wireless mice, mobile phones, large smartphone “phablets,” tablets, and military radios.
- N6782A and N6786A SMUs are tuned for functional tests of devices such as DC/DC converters, PMUs, PMICs, and power amplifiers from 20 W to 80 W.
- N6784A SMU is designed to be a versatile tool for general-purpose applications in automated test systems or on an R&D bench.
- 14585A software compliments the N6781A and N6785A SMUs when used with the N6705 DC power analyzer by adding advanced battery drain functionality such as statistical analysis. However, it is also useful as a generic R&D power analysis tool since any of the over 30 other N6700 Series DC power modules can be controlled by the software when installed in an N6705 mainframe

### N6781A and N6785A are SMUs tuned for battery drain analysis

Unlike any other product available today, the N6781A and N6785A offer the features necessary to accurately capture the power consumption of portable, battery-powered devices from 20 W to 80 W. When used with the 14585A software, the N6781A and N6785A become an even more powerful battery drain analysis solution offering even further insights into your measurements. Whether the DUT is an e-Book reader, MP3 player, mobile phone, “phablet,” tablet, or pacemaker, the N6781A and N6785A’s seamless measurement ranging, programmable output resistance, and auxiliary DVM combine to be the only solution on the market that helps you deliver exceptional battery life.

- Deliver exceptional battery life with insight into your device’s power consumption you can get nowhere else
- Measure all modes of operation simultaneously, no need to change measurement ranges with seamless, dynamic measurements down to nA and  $\mu\text{V}$
- More accurately emulate performance of a battery with internal resistance of a battery using the programmable output resistance of the N6781A and N6785A.
- Perform tests with the actual battery – monitor your battery’s voltage with the built-in auxiliary voltage measurement system while using the SMU’s ammeter mode (zero-burden current shunt) to perform real-world battery rundown tests
- Easily make sense of your measurements – scope, data logger, and complementary cumulative distribution function (CCDF) statistical analysis all help you understand what you’ve measured

## N6782A and N6786A are ideal for advanced functional test

The ability to modulate the output up to 100 kHz along with 2-quadrant operation makes the N6782A and N6786A a perfect fit for advanced functional test of a variety of devices such as DC/DC converters, power management units, power amplifiers, and power management ICs (PMICs) from 20 W to 80 W.

- Stimulate the input stage of your DUT with fast sourcing and waveforms up to 100 kHz using the advanced arbitrary waveform generation feature.
- The output stage can be loaded down and measured with the electronic load capabilities of the N6782A and N6786A, providing a total test solution

## N6784A SMU is an ideal general-purpose tool

General-purpose applications can span many different industries and many different devices under test. The N6784A SMU's glitch-free operation ensures safe usage with the DUT during output and measurement range changes, even with capacitances of up to 150  $\mu$ F. This enables use with a wide variety of DUTs. Its 4-quadrant operation enables it to act as a bipolar power supply or a bipolar electronic load, for added versatility.

- Glitch-free operation ensures that during programmed output or measurement ranges changes, the N6784A's output voltage and current remain steady and the DUT remains damage-free.
- Four current programming ranges (3 A, 300 mA, 100 mA, and 10 mA) enables the N6784A to be a precise current source or electronic load down to  $\mu$ A.

## Emulation modes to enhance usability

All of the N6780 Series SMUs have user-selectable emulation modes to improve usability and productivity by instantly configuring the SMU for the most common use cases.

When one of the emulation modes is selected, the SMU optimizes all of its features and settings for that particular use case.

### Emulation modes

- 4-quadrant power supply (N6784A only)
- 2-quadrant power supply
- Unipolar power supply (i.e. 1-quadrant)
- CC load
- CV load
- Voltage measure (i.e. voltmeter mode)
- Current measure (i.e. ammeter mode)
- Battery emulator (N6781A and N6785A only)
- Battery charger (N6781A and N6785A only)

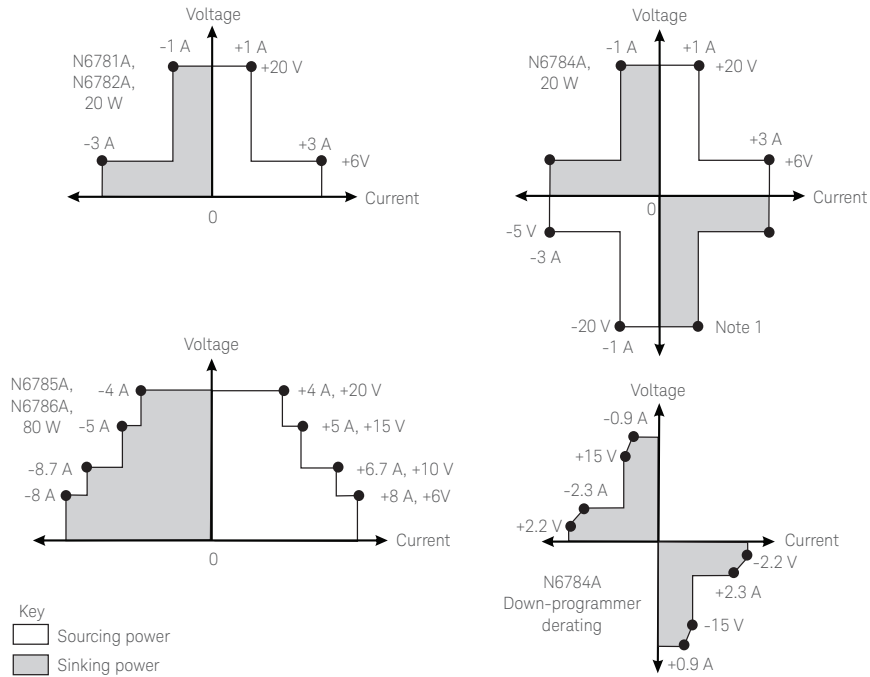
## N6781A/82A/84A Performance Specifications

|  | N6781A, N6782A           | N6784A                   | N6785A, N6786A        |
|--|--------------------------|--------------------------|-----------------------|
| <b>DC output ratings:</b>  |                          |                          |                       |
| Voltage  | + 20 V/6V                | 20 V / 6 V               | 20 V/15 V/10 V/6 V    |
| Current (derated 1% per °C above 30°C)   | ±1A/± 3 A                | ± 1 A / ±3 A             | ±4 A/±5 A/±6.7 A/±8 A |
| Power  | 20 W                     | 20 W                     | 80 W                  |
| <b>Output voltage ripple &amp; noise (PARD):</b> (from 20 Hz – 20 MHz, at full load)   |                          |                          |                       |
| CV peak-to-peak  | 12 mV                    | 12 mV                    | 15 mV                 |
| CV rms   | 1.2 mV                   | 1.2 mV                   | 1.5 mV                |
| <b>Load effect (load regulation):</b><br>(For any load change, based on a load lead drop 1.0 V. The load lead drop reduces the maximum available voltage at the load.)   |                          |                          |                       |
| Voltage, 20 V, 15 V, 10 V, & 6 V ranges  | 700 µV, N/A, N/A, 400 µV | 700 µV, N/A, N/A, 400 µV | 700 µV                |
| Current, 3 A, 1 A, & 300 mA ranges   | 100 µA, 50 µA            | 100 µA, 50 µA            | N/A                   |
| Current, 8 A, 6.7 A, 5 A, & 4 A ranges   | -                        | -                        | 400 µA                |
| <b>Programming accuracy:</b> (At 23 °C ±5 °C after 30 min. warm-up. Applies from minimum to maximum programming range at any load.)  |                          |                          |                       |
| Voltage, 20 V range  | 0.025% + 1.8 mV          | 0.025% + 1.8 mV          | 0.025% + 1.8 mV       |
| Voltage, 15 V & 10 V ranges  | -                        | -                        | 0.025% + 1.8 mV       |
| Voltage, 6 V range   | 0.025% + 600 µV          | 0.025% + 600 µV          | 0.025% + 1.8 mV       |
| Voltage, 600 mV range  | 0.025% + 200 µV          | 0.025% + 200 µV          | -                     |
| Current, 8 A, 6.7 A, 5 A, & 4 A ranges   | -                        | -                        | 0.04% + 1.5 mA        |
| Current, 3 A & 1 A range   | 0.04% + 300 µA           | 0.04% + 300 µA           | -                     |
| Current, 300 mA range  | 0.03% + 150 µA           | -                        | -                     |
| Current, 100 mA range  | -                        | 0.03% + 12 µA            | -                     |
| Current, 10 mA range   | -                        | 0.025% + 5 µA            | -                     |
| Resistance (in 20 V output range)  | 0.1% + 3 mΩ              | -                        | 0.1% + 1 mΩ           |
| Resistance for 15 V & 10 V ranges  | -                        | -                        | 0.1% + 1 mΩ           |
| Resistance (in 6 V output range)   | 0.1% + 1.5 mΩ            | -                        | 0.1% + 1 mΩ           |
| <b>Measurement accuracy:</b> (at 23 °C ±5 °C)  |                          |                          |                       |
| Voltage, 20 V range  | 0.025% + 1.2 mV          | 0.025% + 1.2 mV          | 0.025% + 1.8 mV       |
| Voltage, 1 V range   | 0.025% + 75 µV           | 0.025% + 75 µV           | -                     |
| Voltage, 100 mV range  | 0.025% + 50 µV           | 0.025% + 50 µV           | -                     |
| Auxiliary Voltage Measurement Input  | 0.025% + 5 mV            | -                        | 0.025% + 5 mV         |
| Current, 8 A range   | -                        | -                        | 0.04% + 1.5 mA        |
| Current, 3 A range   | 0.03% + 250 µA           | 0.03% + 250 µA           | -                     |
| Current, 100 mA range  | 0.025% + 10 µA           | 0.025% + 10 µA           | 0.025% + 10 µA        |
| Current, 1 mA range  | 0.025% + 100 nA          | 0.025% + 100 nA          | 0.025% + 100 nA       |
| Current, 10 µA range   | 0.025% + 8 nA            | 0.025% + 8 nA            | -                     |
| <b>Load transient response time in Voltage Priority mode:</b> Time to recover to within the settling band.<br>With 150 µF cap (ESR=50 mΩ) at load, remote sensing at cap, 4.25' twisted pair load leads - See Service Guide for setup information. |                          |                          |                       |
| Rise time (10% to 90%)   | 10 µs                    | 10 µs                    | 10 µs                 |
| Settling band  |                          |                          |                       |
| 20 V range with a 0.8 A load step  | ± 10 mV                  | ± 10 mV                  | ± 20 mV               |
| 15 V & 10 V range with a 1.4 A load step   | -                        | -                        | ± 20 mV               |
| 6 V range with a 1.4 A load step   | ± 20 mV                  | ± 20 mV                  | ± 20 mV               |
| Recovery time  | ≤ 35 µs                  | ≤ 35 µs                  | ≤ 35 µs               |

## N6781A/82A/84A Performance Specifications, continued

|  | N6781A, N6782A | N6784A      | N6785A, N6786A |
|--|----------------|-------------|----------------|
| <b>Source effect (line regulation)</b> |                |             |                |
| Voltage                                | 300 $\mu$ V    | 300 $\mu$ V | 100 $\mu$ V    |
| Current                                | 60 $\mu$ A     | 60 $\mu$ A  | 100 $\mu$ A    |

### Supplemental Characteristics



#### По вопросам продаж и поддержки обращайтесь:

Архангельск (8182)63-90-72  
Астана +7(7172)727-132  
Астрахань (8512)99-46-04  
Барнаул (3852)73-04-60  
Белгород (4722)40-23-64  
Брянск (4832)59-03-52  
Владивосток (423)249-28-31  
Волгоград (844)278-03-48  
Вологда (8172)26-41-59  
Воронеж (473)204-51-73  
Екатеринбург (343)384-55-89

Иваново (4932)77-34-06  
Ижевск (3412)26-03-58  
Казань (843)206-01-48  
Калининград (4012)72-03-81  
Калуга (4842)92-23-67  
Кемерово (3842)65-04-62  
Киров (8332)68-02-04  
Краснодар (861)203-40-90  
Красноярск (391)204-63-61  
Курск (4712)77-13-04  
Липецк (4742)52-20-81

Магнитогорск (3519)55-03-13  
Москва (495)268-04-70  
Мурманск (8152)59-64-93  
Набережные Челны (8552)20-53-41  
Нижний Новгород (831)429-08-12  
Новокузнецк (3843)20-46-81  
Новосибирск (383)227-86-73  
Омск (3812)21-46-40  
Орел (4862)44-53-42  
Оренбург (3532)37-68-04  
Пенза (8412)22-31-16

Пермь (342)205-81-47  
Ростов-на-Дону (863)308-18-15  
Рязань (4912)46-61-64  
Самара (846)206-03-16  
Санкт-Петербург (812)309-46-40  
Саратов (845)249-38-78  
Севастополь (8692)22-31-93  
Симферополь (3652)67-13-56  
Смоленск (4812)29-41-54  
Сочи (862)225-72-31  
Ставрополь (8652)20-65-13

Сургут (3462)77-98-35  
Тверь (4822)63-31-35  
Томск (3822)98-41-53  
Тула (4872)74-02-29  
Тюмень (3452)66-21-18  
Ульяновск (8422)24-23-59  
Уфа (347)229-48-12  
Хабаровск (4212)92-98-04  
Челябинск (351)202-03-61  
Череповец (8202)49-02-64  
Ярославль (4852)69-52-93